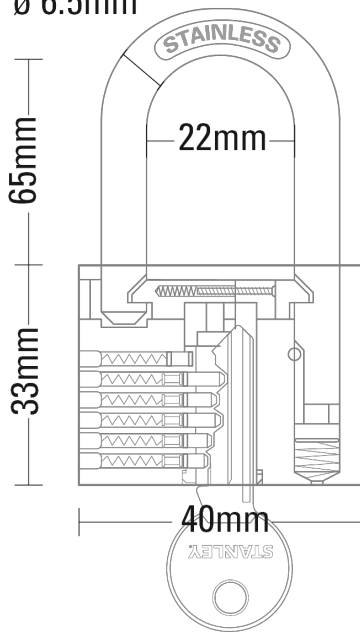


ø 6.5mm



**Product Data**

Type:	81061	AS Security Grade:	6
Weight Product:	153.7 g	Intertec document available:	Yes, AS 4145.4-2002, § 3.4.5

**Technical Data**

Product Materials:	Solid Brass	Shackle Material:	Stainless steel
Lock Size:	40 mm	Shackle Texture:	Nickel/Chrome
Keys Material:	Solid brass nickel plated		
Keyway:	M1		
Cylinder:	Pin + tumbler		
Locking Mechanism:	Double locking shackle		

**Available Articles**

Ordernumber:	81061 371 401
Materialnumber:	S742-016
Article Name:	Chrome Plated 40mm long Shackle
Packaging Information:	Blister, plastic
Number of Products in Packaging:	1
Number of Keys In Packaging:	3

GTIN / EAN:



No publication or circulation of data to third parties without consent of VARTA Consumer Batteries.

Generated on 22.11.2017, 03:50



All mentioned products and specifications are subject to change.  
 In case of non-availability of any product or item, VARTA Consumer Batteries GmbH & Co. KGaA cannot be held responsible.  
 Some of the products shown may not be available in all countries.  
 The pictures might be different to the original products. Technical changes and errors reserved.

VARTA Consumer Batteries GmbH & Co. KGaA | Alfred-Krupp-Str. 9 | 73479 Ellwangen | Germany  
 P.O. Box 1363 | 73473 Ellwangen | Germany | Phone (+49) 7961 83 0 | Fax (+49) 7961 83 440

**STANLEY®**