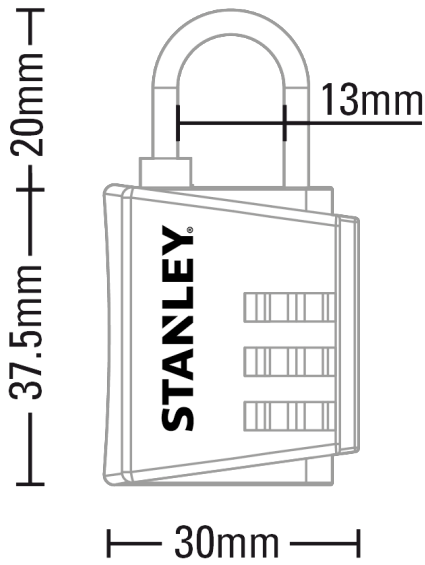


∅ 3mm



Product Data

Type: 81141
 Weight Product: 64.7 g
 Combinations: 999 resetable combinations

Intertec document available: No

Technical Data

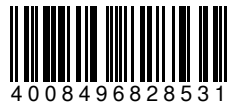
Product Materials: Zinc
 Lock Size: 30 mm
 Keys Material: -
 Cylinder: Wafer tumbler
 Locking Mechanism: Single Locking

Shackle Material: Steel
 Shackle Texture: Nickel

Available Articles

Ordernumber: 81141 393 401
 Materialnumber: S742-055
 Article Name:
 Packaging Information: Blister, plastic
 Number of Products in Packaging: 1

GTIN / EAN:



No publication or circulation of data to third parties without consent of VARTA Consumer Batteries.

Generated on 21.11.2017, 23:54



All mentioned products and specifications are subject to change.
 In case of non-availability of any product or item, VARTA Consumer Batteries GmbH & Co. KGaA cannot be held responsible.
 Some of the products shown may not be available in all countries.
 The pictures might be different to the original products. Technical changes and errors reserved.

VARTA Consumer Batteries GmbH & Co. KGaA | Alfred-Krupp-Str. 9 | 73479 Ellwangen | Germany
 P.O. Box 1363 | 73473 Ellwangen | Germany | Phone (+49) 7961 83 0 | Fax (+49) 7961 83 440

STANLEY®