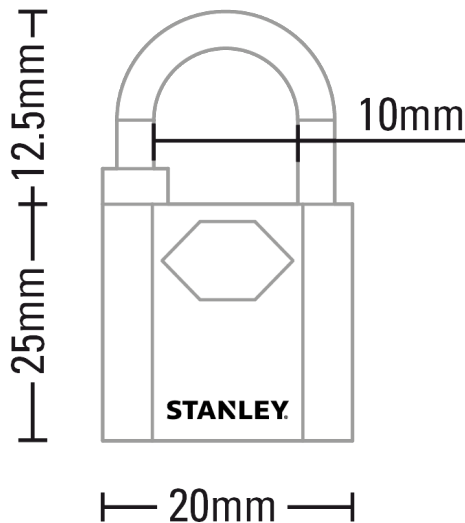


∅ 3mm



Product Data

Type:	81181	Intertec document available:	No
Weight Product:	65.6 g		

Technical Data

Product Materials:	Zinc	Shackle Material:	Steel
Lock Size:	20 mm	Shackle Texture:	Nickel
Keys Material:	Solid brass nickel plated		
Keyway:	Dimple		
Cylinder:	Dimple		
Locking Mechanism:	Single Locking		

Available Articles

Ordernumber:	81181 393 401
Materialnumber:	S742-064
Article Name:	TSA Combo Black/Yellow
Packaging Information:	Blister, plastic
Number of Products in Packaging:	2
Number of Keys In Packaging:	2

GTIN / EAN:



No publication or circulation of data to third parties without consent of VARTA Consumer Batteries.

Generated on 22.11.2017, 00:08



All mentioned products and specifications are subject to change.
 In case of non-availability of any product or item, VARTA Consumer Batteries GmbH & Co. KGaA cannot be held responsible.
 Some of the products shown may not be available in all countries.
 The pictures might be different to the original products. Technical changes and errors reserved.

VARTA Consumer Batteries GmbH & Co. KGaA | Alfred-Krupp-Str. 9 | 73479 Ellwangen | Germany
 P.O. Box 1363 | 73473 Ellwangen | Germany | Phone (+49) 7961 83 0 | Fax (+49) 7961 83 440

STANLEY®